



WCS250SV

10" Professional Food Slicer



MAIN FEATURES

- ¾ HP* commercially rated motor
- 10" blade crafted in Italy of tempered, hard chrome for long-lasting sharpness
- Cast aluminum base and carriage ensures sturdy slicing
- High-efficiency, ventilated induction motor prevents overheating and runs quietly
- Belt-driven, with fixed blade for slicing ease and precision
- Easily adjustable slicing thickness from 0"–.59" (0–14.9mm)
- Made in Italy
- Limited One Year Warranty

*Peak Input

ELECTRICAL

Voltage: 120

Frequency: 60 Hz

Amps: 1.1

Plug Type: NEMA 5-15P 

Cord Length: 4 feet



SALES FEATURES

The Waring® WCS250SV food slicer is built for speed, precision and efficiency. Made in Italy, with a commercially rated ¾ Peak HP* motor that won't slow down. The large 10" tempered chrome blade adjusts from 0–.59 inches and retains its sharp cutting edge for long-lasting precision slicing. Belt-driven, with a sturdy base, fixed blade, and tilt-out carriage design that makes it easy to operate and just as easy to clean.



@waringcommercial

©2019 Waring Commercial
314 Ella T. Grasso Avenue, Torrington, CT 06790
Tel. 800-492-7464 • Fax 860-496-9008

waringcommercialproducts.com

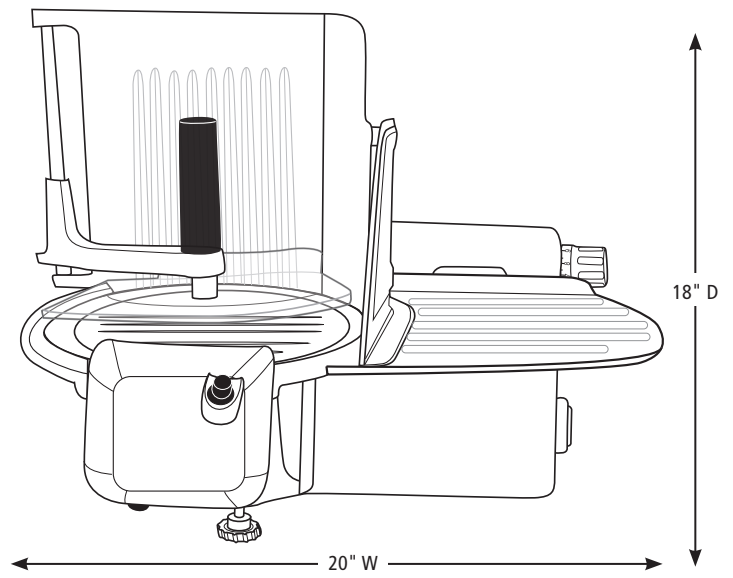
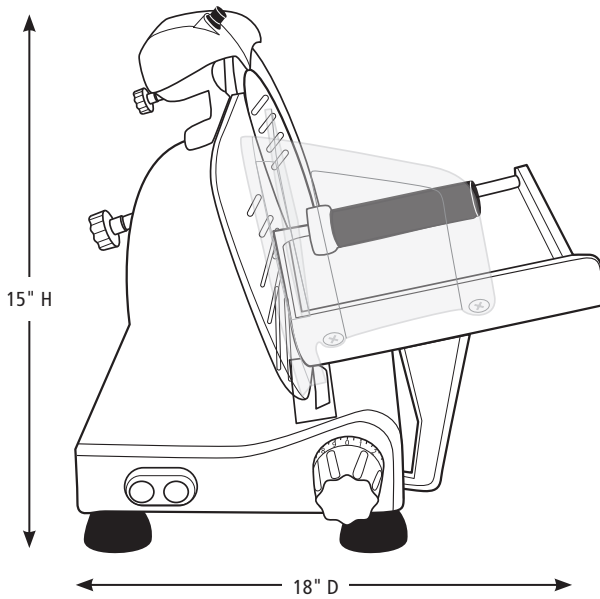
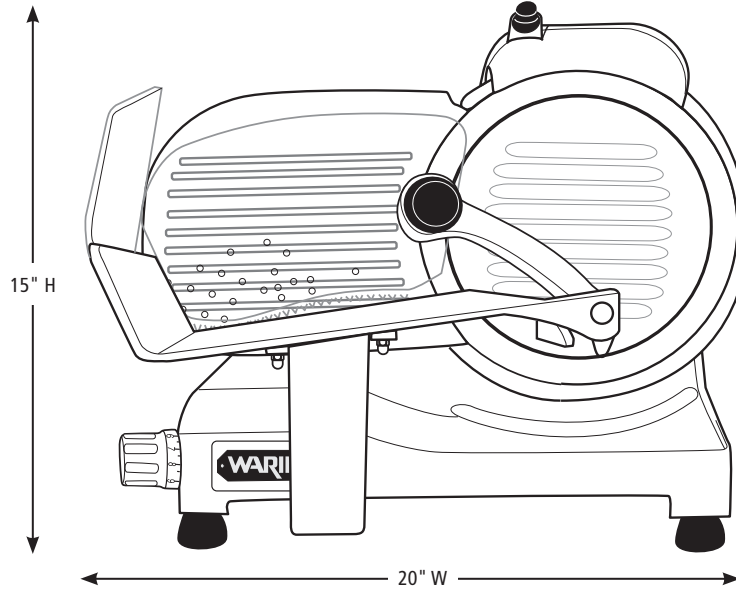
10" Professional Food Slicer

WCS250SV



10" Professional Food Slicer WCS250SV

DIMENSIONS



Out of Box Weight: 30.9 lb.

ORDERING INFORMATION	#STD. PKG.	GIFTBOX WEIGHT	CUBIC FEET	BOX DIMENSIONS D X W X H	UPC	CASE PKG.	MC WEIGHT	MC DIMENSIONS D X W X H	MBC
WCS250SV – 10" Silver Professional Food Slicer	1	30.8	3.7	21.2" x 18.9" x 16.1"	040072080289	1	39.5	21.2" x 18.9" x 16.1"	10040072080286



@waringcommercial

©2019 Waring Commercial
314 Ella T. Grasso Avenue, Torrington, CT 06790
Tel. 800-492-7464 • Fax 860-496-9008

waringcommercialproducts.com

19WC059747 / REV 08/19